

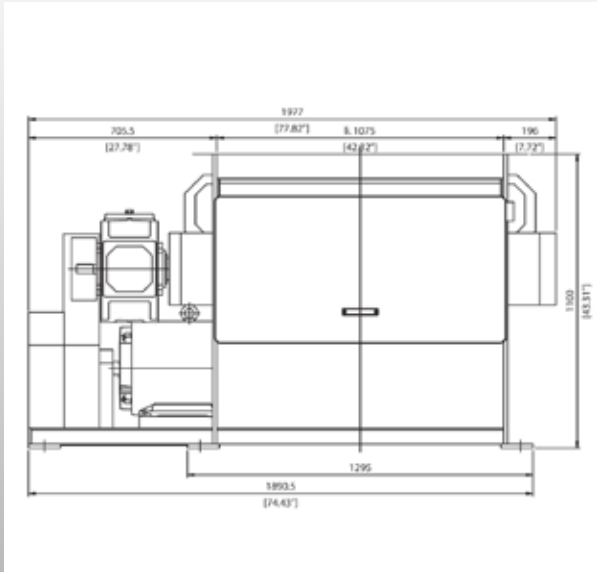
VAZ® 1100 XL

Vecoplan®

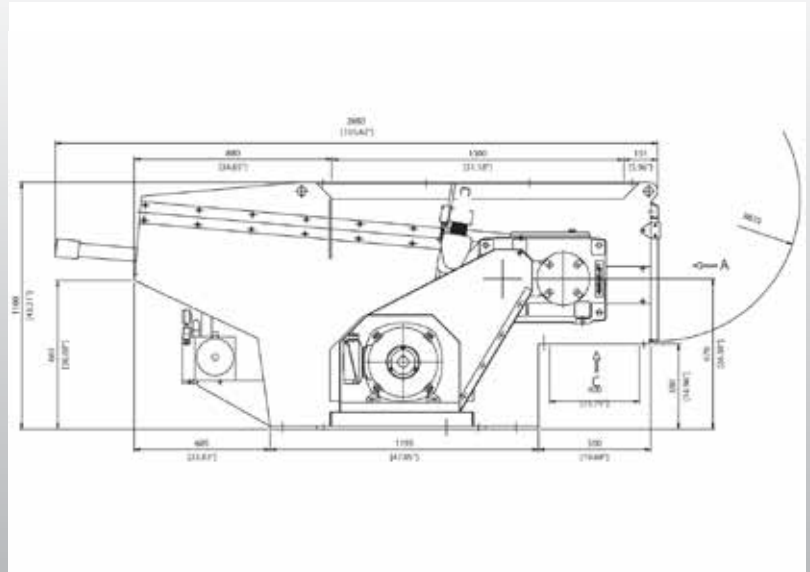


VAZ® 1100 XL Rotary Shredder

The Vecoplan VAZ® 1100 XL Rotary Shredder is designed especially for size reduction of difficult industrial materials such as plastic purge and scrap, dunnage, wood scrap, medical waste, municipal waste, furniture parts, pallets, cardboard and paper.



front view



side view

Specifications

Hopper Opening	inch	42x48
Hopper Volume	cubic yards	2.9
Rotor Diameter	inch	10
No. of Cutters	qty	27 (40x40)
Rotor Speed	rpm	120
Drive Motor HP	HP	30
Feed System	HP/speed	3HP / 2 Speed
Machine Weight	lbs	5,700
Voltage	V/PH/Hz	460/3/60

Options

- Multiple Rotor Configurations
- Pneumatic Pick-Up Hoods
- Custom Hoppers
- Abrasion Resistant Screens
- Control Integration
- Turn-Key Installation w/Custom Conveyor Systems Engineering and Material Handling Equipment

Features

- Low Speed / High Torque Design
- Touch Pad Monitoring & Control
- Easy Accessibility
- Tramp Metal Protection
- Equity "Buyback" Guarantee
- Low RPM / Low Noise
- Large Infeed Hopper
- Precision Hydraulic "Process Ram"
- 4-Way, Indexable Cutting Inserts
- High Output "Torsion Point" Cutting Rotor
- Heavy Duty Construction
- Rugged Hydraulics
- Stress-Free Frame, Robotically Welded
- Lifetime Limited Warranty on Cutting Rotor
- Oversized Drivetrain
- Heavy Spherical Roller Bearings
- Fluid "TurboCoupling"
- PLC Control Panel
- ISO 9001 Manufactured