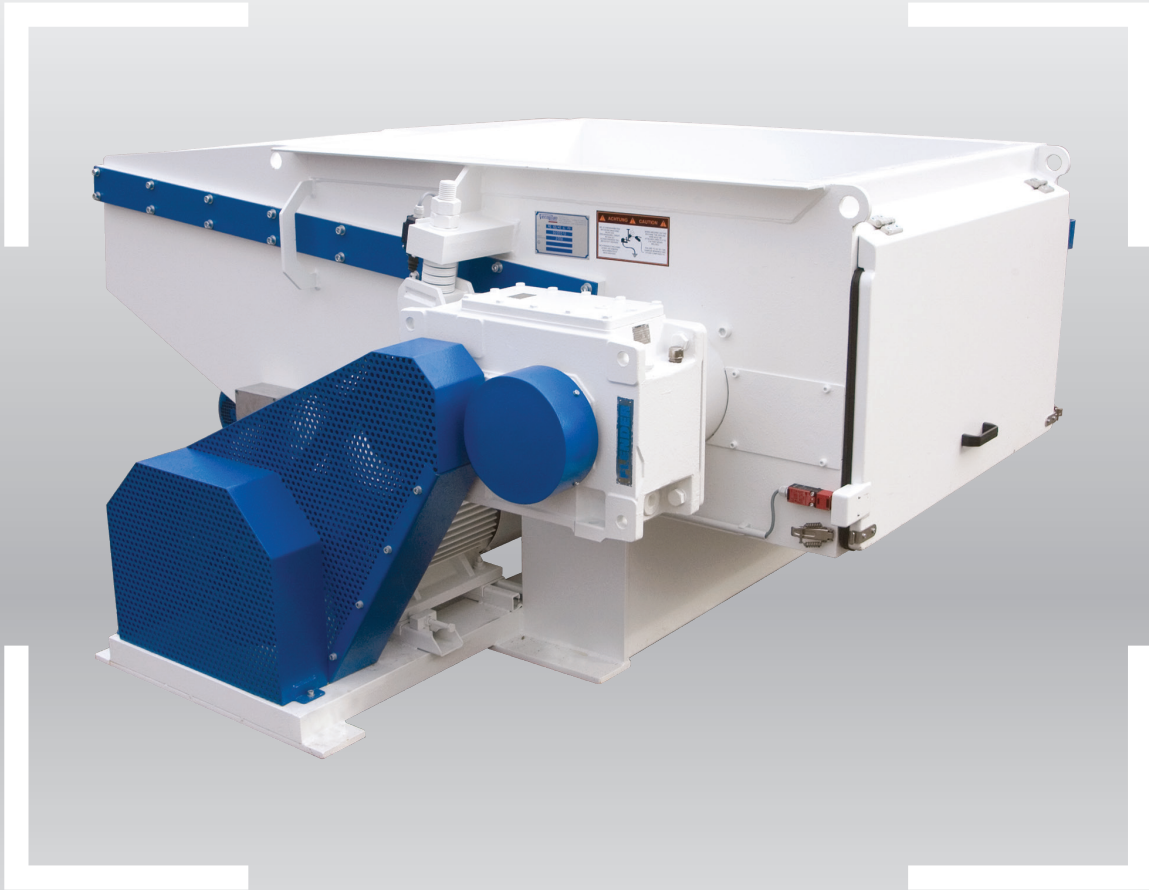


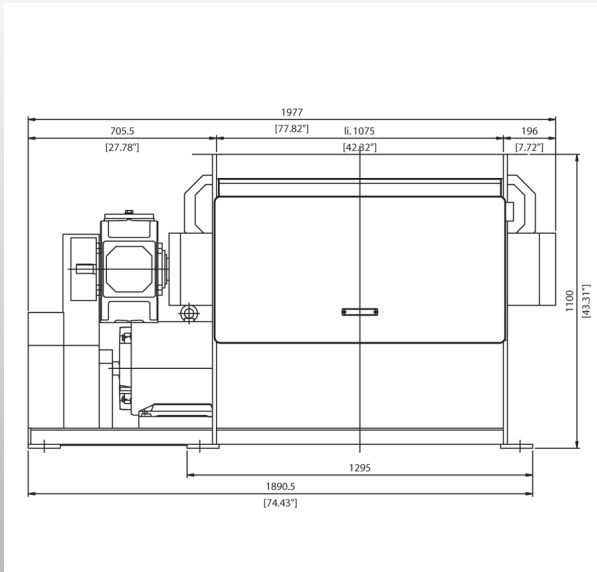
VAZ® 1100 XL XR

Vecoplan®

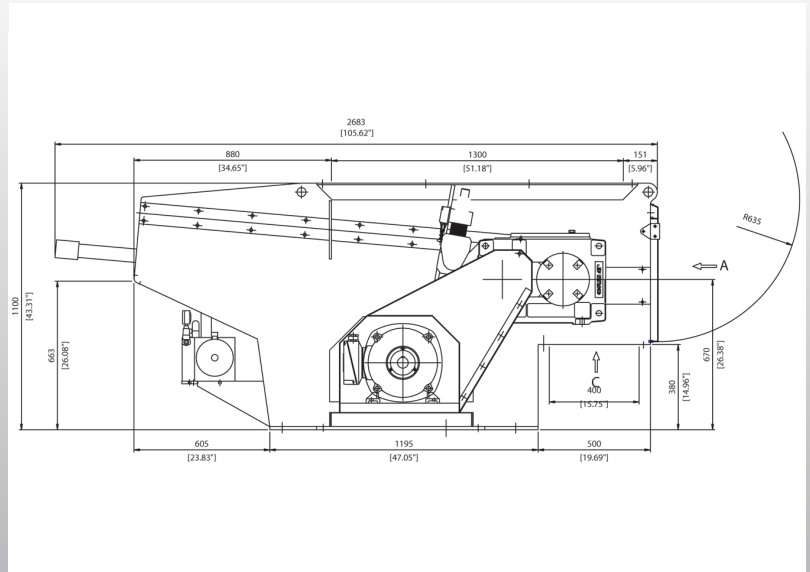


VAZ® 1100 XL XR Rotary Shredder

The Vecoplan VAZ® 1100 XL XR Rotary Shredder is designed especially for size reduction of difficult industrial materials such as plastics, dunnage, wood scrap, medical waste, municipal waste, furniture parts, pallets, carpet, cardboard and paper.



front view



side view

Specifications

Hopper Opening	inch	42x52
Hopper Volume	cubic yards	3.1
Rotor Diameter	inch	15
No. of Cutters	qty	48 (40x40)
Rotor Speed	rpm	120
Drive Motor HP	HP	60
Feed System	HP/speed	3HP / 2 Speed
Machine Weight	lbs	7,000
Voltage	V/PH/Hz	460/3/60

Options

- Multiple Rotor Configurations
- Pneumatic Pick-Up Hoods
- Custom Hoppers
- Abrasion Resistant Screens
- Control Integration
- Turn-Key Installation w/Custom Conveyor Systems Engineering and Material Handling Equipment

Features

- Low Speed / High Torque Design
- Touch Pad Monitoring & Control
- Easy Accessibility
- Tramp Metal Protection
- Equity "Buyback" Guarantee
- Low RPM / Low Noise
- Large Infeed Hopper
- Precision Hydraulic "Process Ram"
- 4-Way, Indexable Cutting Inserts
- High Output "Torsion Point" Cutting Rotor
- Heavy Duty Construction
- Rugged Hydraulics
- Stress-Free Frame, Robotically Welded
- Lifetime Limited Warranty on Cutting Rotor
- Oversized Drivetrain
- Heavy Spherical Roller Bearings
- Fluid "TurboCoupling"
- PLC Control Panel
- ISO 9001 Manufactured