

VAZ® 1300 - 1600
Single Shaft Shredders

Vecoplan®

Vecoplan®



VAZ® 1300 - 1600
Single Shaft Shredders

Vecoplan's tradition of unrivaled quality, service and innovation continues in our line of low speed, high torque single shaft rotary shredders.

Vecoplan, LLC
5708 Uwharrie Road • Archdale, NC 27263
Phone: 336-861-6070 Fax: 336-861-4329
www.vecoplanllc.com

Vecoplan®

Vecoplan Midwest
4005 Earnings Way • New Albany, IN 47150
Phone: 812-923-4992 Fax: 812-923-4994
www.vecoplanmidwest.com

Vecoplan VAZ® 1300-1600 Shredders



The New Generation VAZ®

Vecoplan's tradition of unrivaled quality, service and innovation continues in our line of low speed, high torque single shaft rotary shredders.

Vecoplan's 1300-1600 shredders incorporate a wide range of innovations that improve performance, increase durability and decrease maintenance time.

These features and options include:

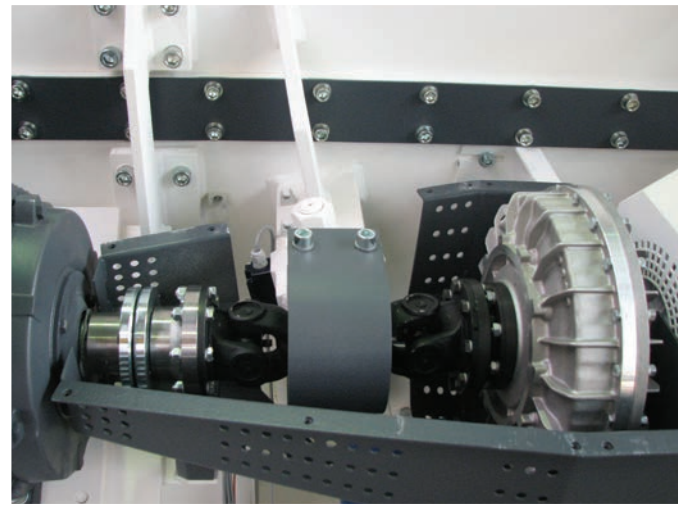
- Cardan Shaft Drives
- Double Sidewalls
- Reversible Counter Knives
- Rotatable Screens
- Optional Hydraulic Swing-Up Screen Carriages
- Optional Externally Adjustable Counter Knives

Innovative Features - Standard

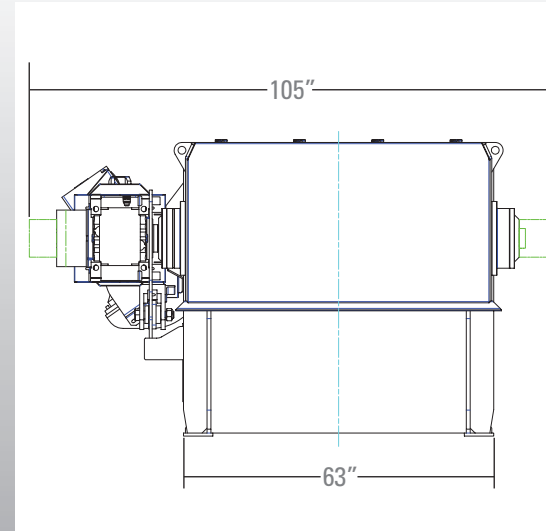
Cardan Shaft Direct Drive

The unique and innovative cardan shaft drive replaces the traditional belt drive system. This direct drive system eliminates drive belts, lowers maintenance costs and decreases overall machine and machine base widths, provides vast improvements in efficiency, operation and maintenance:

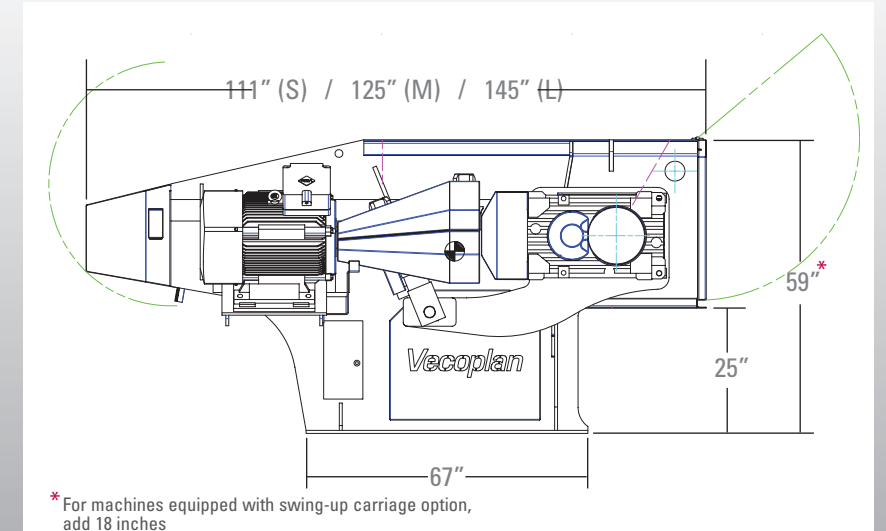
- Lower maintenance costs and no tensioning of the "V-Belt"
- No risk of alignment failure
- No wear on the belt drive, eliminating the risk and cause of many fires
- Machine width is reduced giving the same capacity machine with a smaller footprint
- Maintenance and clean-up around the base of the machine is simpler



Vecoplan 1300-1600 VAZ® Shredders

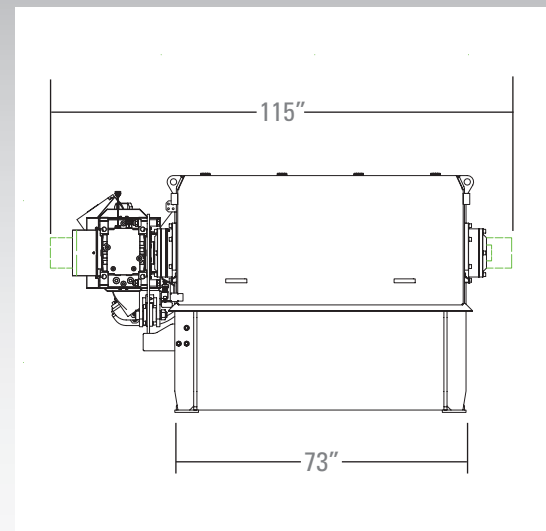


front view VAZ® 1300

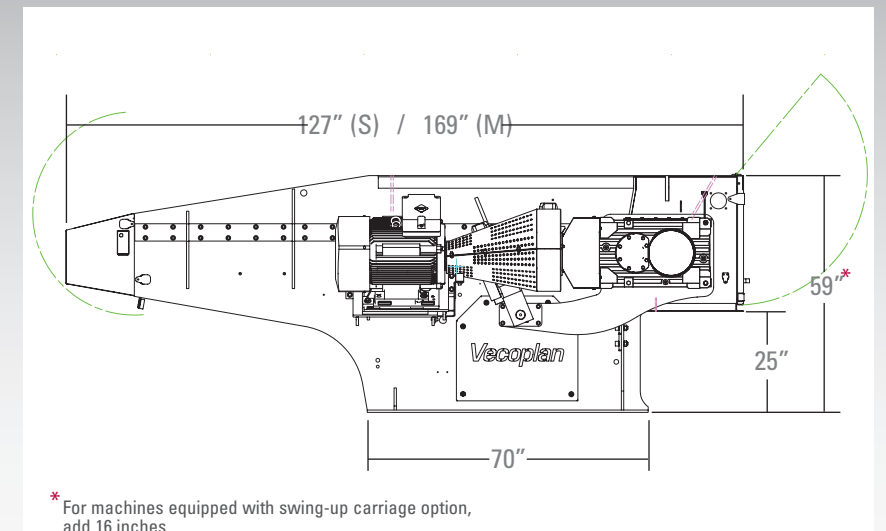


* For machines equipped with swing-up carriage option, add 18 inches

side view VAZ® 1300



front view VAZ® 1600



* For machines equipped with swing-up carriage option, add 16 inches

side view VAZ® 1600

SPECIFICATIONS		VAZ® 1300 S	VAZ® 1300 M	VAZ® 1300 M XL	VAZ® 1300 L	VAZ® 1600 S	VAZ® 1600 S XL	VAZ® 1600 M	VAZ® 1600 M XL
Hopper opening (WxL)	inch	52 x 50	52 x 58	52 x 58	52 x 68	62 x 58	62 x 58	62 x 80	62 x 80
Hopper volume	cubic yard	3.25	3.75	3.75	4.5	4.5	4.5	6.4	6.4
Rotor diameter	inch	15	15	20	15	15	15	15	20
Number of cutters	qty	37 / 60 (40x40)	37 / 60 (40x40)	37 / 60 (40x40)	35 / 60 (40x40)	42 / 74 (40x40)	42 / 74 (40x40)	42 / 74 (40x40)	42 / 74 (40x40)
Rotor Speed	rpm	120 - 145	120 - 145	120	120	80 - 200	80 - 200	80 - 200	80 - 200
Drive motor HP	HP	60 - 100	60 - 150	100	100	60 - 150	75, 125, 150	60 - 150	125 - 150
Feed system	HP / speed	3-5 / 2 speed	3-5 / 2 speed	3-5 / 2 speed	3-5 / 2 speed	10-2 / 2 speed	10-2 / 2 speed	10-2 / 2 speed	10-2 / 2 speed
Voltage	V/PH/Hz	460/3/60	460/3/60	460/3/60	460/3/60	460/3/60	460/3/60	460/3/60	460/3/60

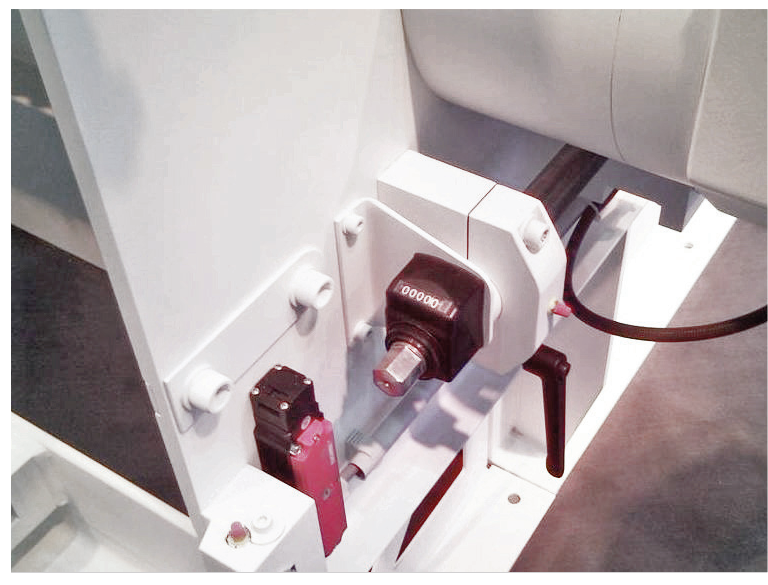
Innovative Options



Swing-Up Screens

Hydraulic swing-up screen carriages provide quick and easy access to rotor for cutter replacements, tramp metal removal, and other routine maintenance. Rotatable screens can be turned 180° increasing wear life by a factor of 1.5.

- Direct route to the heart of the machine
- Quick access to replace cutters
- Fast screen changes



Externally Adjustable Bed Knife

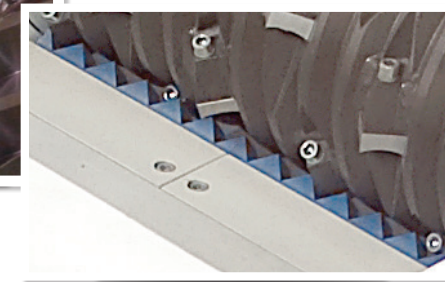
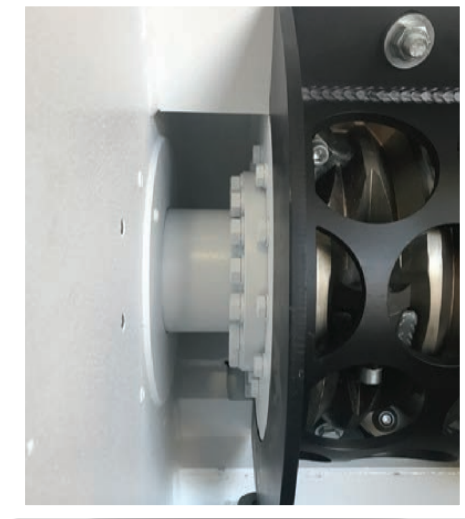
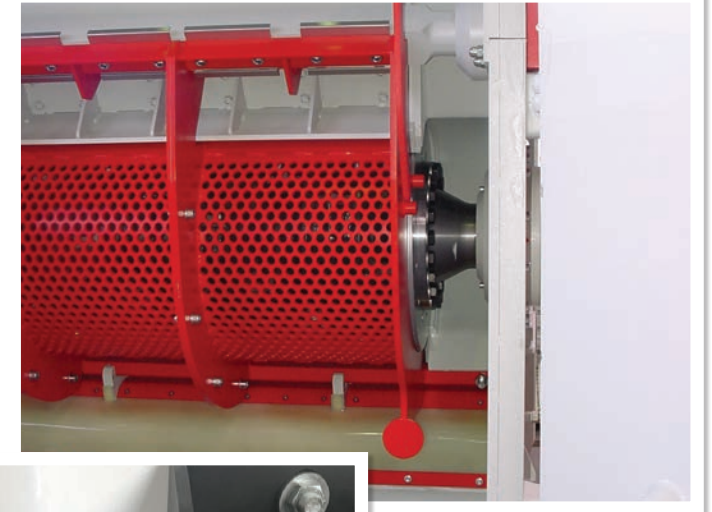
Externally adjustable counter knives allow you to maintain optimal cutting tolerances quickly and easily. This is especially beneficial when shredding thin materials.

- Increased capacity
- Reduced wear costs
- Safer operation when processing thin material

Double Side Walls

The double side wall design significantly reduces wear and abrasion on the machine by putting a gap between the end of the rotor and the machine side wall. The gap is sized to prevent material from getting stuck in between the rotor and the machine housing, while also allowing any material that does get in there to easily fall out or be removed during cleaning.

- Higher operational reliability and lower wear costs
- Threaded rings at the rotor and in the side wall simplifies their replacement
- No material accumulation between the two surfaces reduces risk of fire
- No thermal transfer between the rotor and the bearings
- Considerably easier and quicker cleanout



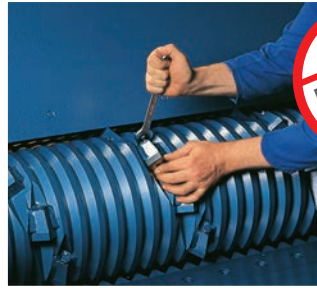
Reversible Bed Knife

Reversible counter knives located in the bed of the cutting chamber deliver twice the life while cutting in half replacement costs. No need to replace bedknives when they begin to wear - simply flip them to obtain a completely new cutting surface.



VECOPLAN'S "U" ROTOR

Developed and Patented by Vecoplan
The industry's most successful cutting rotor design.



Heavy shelf over ram cavity to protect hydraulic cylinders from impact.

Heavy dual cushioned hydraulic cylinders to advance process ram. Cylinders are secured with reinforced, vibration dampening clamps.

Heavy side walls, braces and reinforcements
Robotically welded for stress-free construction.

Hardox™ "process ram" provides precision feed of material to cutting rotor. Ram quickly adjusts to different load variables to maximize processing efficiency.

The cutting rotor has been engineered for durability and carries a Limited Lifetime Warranty. Cutting inserts are precision fit for easy maintenance.

Rotors are available in several diameters dependent on throughput requirements.

Large infeed hopper for true dump-and-run operation.

Sizing screens from 3/8" to 6" add economical production of consistent sized particles in one pass.

★ Hinged doors with safety switches to access screen and cutting rotor quickly for routine maintenance and cleaning.

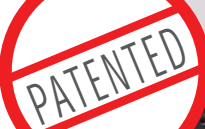
Oversized, shaft-mounted reduction gearbox rated with extreme-duty service and safety elements.

Optional hydraulic-assisted screen carriage for quick and easy screen changes and simplified maintenance.

★ Quick-change oversized ram guide rails are removable from the exterior of the machine.

★ Hinged cover provides protection to ram drive cylinders and allows easy access for routine maintenance.

AVAILABLE FILM / FIBER ROTOR FOR SHREDDING FLEXIBLE, HIGH-TENACITY MATERIALS THAT TEND TO "SELF-FEED"



- **SURE CUT™** patented cutting system with built-in 2-stage auxiliary reduction
- Special reinforced, close tolerance screen
- Special "wedge" adjustable counter knife

High quality, premium efficiency drive motors.

★ Torque arm with disc springs to "shock absorb" gearbox.
Equipped with a shut down switch to limit damage from tramp metal.

★ Denotes a Vecoplan Exclusive

OPTIONS:

- Quick Disconnect & Quick Clean Screens
- Multiple Rotor Configurations
- Multiple Cutter Insert Sizes
- Special Purpose Screens
- Hydraulic "BridgeBreaker" Vertical Feed Ram
- Airspring Counterknife for High Tramp Metal Content

Direct drive provides more torque, a smaller footprint and less maintenance than belt-drive systems.

Double sidewalls prevent bearing contamination and sidewall wear.

Flanged discharge to accommodate an assortment of pneumatic and mechanical conveyance systems.

Anvil has a replaceable counter knife plate with close tolerance profile. The anvil stabilizes and anchors the grinding process.

Reversible and adjustable counter knives deliver twice the operating life.

Optional externally adjustable counter knives to easily maintain tolerances.

High quality, double row, self-aligning spherical pendulum roller bearings mounted outboard for ease of maintenance and prevention of contamination.