

V-EBS 2500

TECHNOLOGY FOR A SUSTAINABLE TOMORROW



Shredding



APPLICATION

The Vecoplan V-EBS 2500 is designed for the production of refuse derived fuel (RDF) from production and sorting waste, packaging material as well as domestic and commercial waste for the energetic use in cement and power plants.

www.vecoplanllc.com

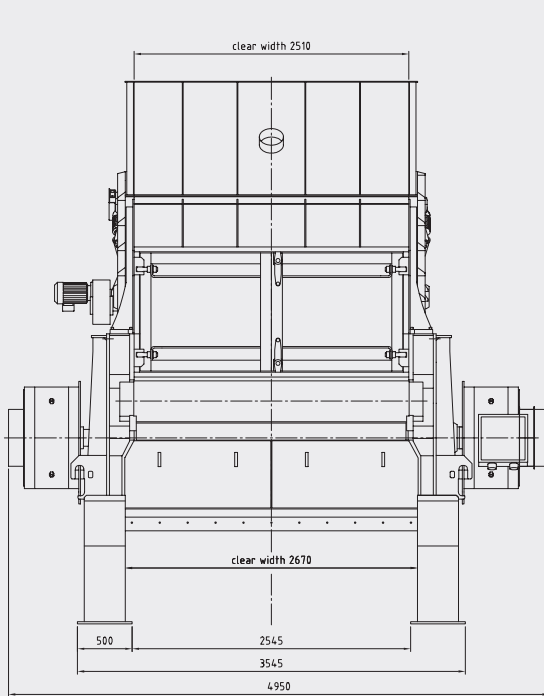
Vecoplan[®]

V-EBS 2500

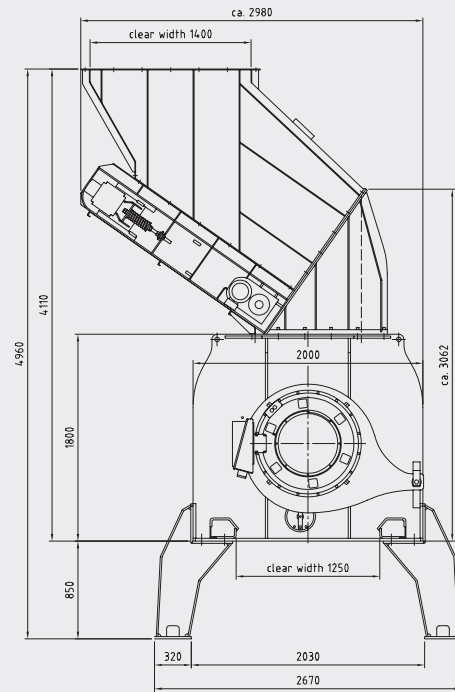
TECHNOLOGY FOR A SUSTAINABLE TOMORROW



Shredding



front view



side view

SPECIFICATIONS

Infeed Opening	mm	2510 x 1400
Rotor Diameter	mm	∅ 1000 x 2510
No. of Cutters	qty	54
Rotor Weight	t	13
Centrifugal Moment	kgsm ²	1270
Rotor Speed	rpm	150 - 250
Number of Counterknives	qty	2
Number of Counterknife Segments	qty	2 x 5
Drive Motor HP	kW	2 x 203
Capacity	t / h	10 - 22*
Machine Weight	t	28
Overall Dimensions	mm	5000 x 3000 x 5000

Subject to technical changes without notice / Dated 05/2010

* Depending on input material and screen size

Vecoplan, LLC
 P.O. Box 7224 • High Point, NC 27264
 Phone: 336•861•6070 Fax: 336•861•4329

www.vecoplanllc.com
 0209A

