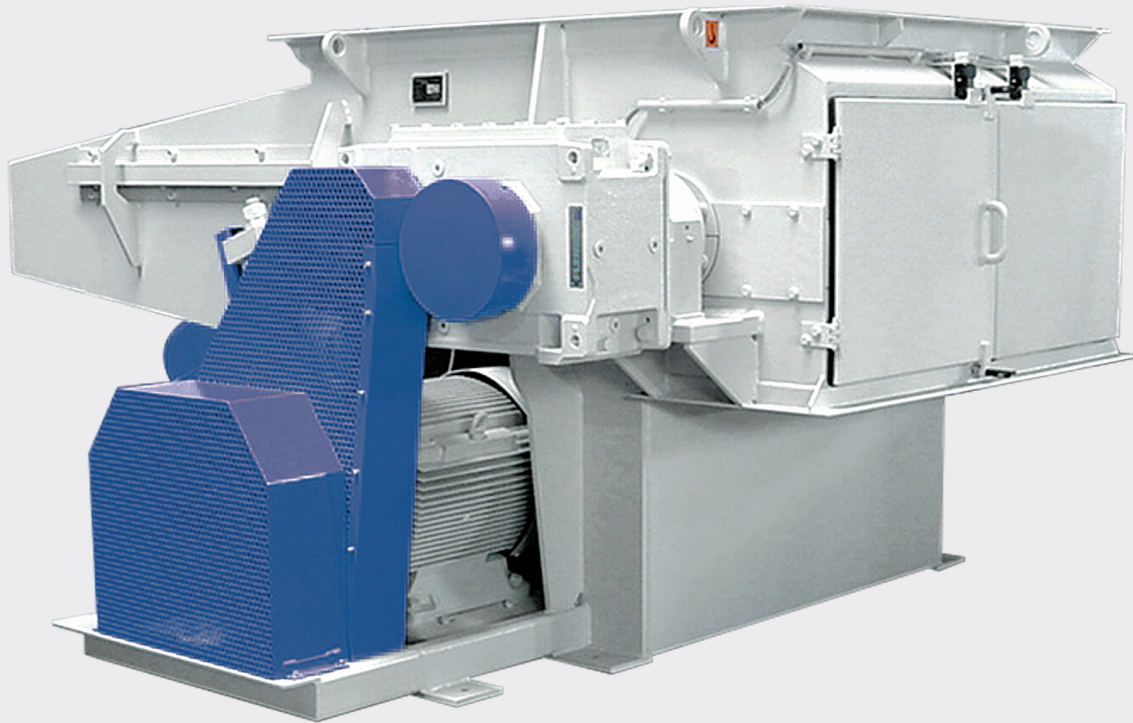


1300 RTR

TECHNOLOGY FOR A SUSTAINABLE TOMORROW



APPLICATION

Designed for liberating steel wire from rubber content in pre-shredded tires, resulting in a more useful end product. This provides a cleaner end product that has much more recycling value than traditional TDF.

FEATURES

- Fully Hard-Faced Rotor
- Reinforced Floor, Ram, T. Arm, Wipers, Motor Mount
- 24" Riser Base Included
- Double Sidewall at Rotor
- "Smart" Ram Programming
- Touch Pad Monitoring & Control
- Tramp Metal Protection
- 4-Way, Indexable Cutting Inserts
- PLC Control Panel
- ISO 9001 Manufactured
- Easy Access Screen
- Outboard Rotor Bearing Package
- Double Row Cutters
- Hardox Manganese-Alloy Sidewalls
- Smart Ram Programming Package
- Heavy-Duty Ram and Wiper Package
- Hardened Extended-Life Counterknife
- 24 Machine Base
- Wear Resistant Floor
- Hardox Screen

www.vecoplanllc.com

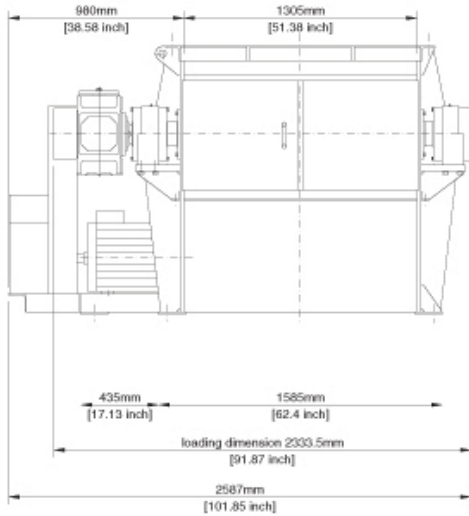
Vecoplan[®]

1300 RTR

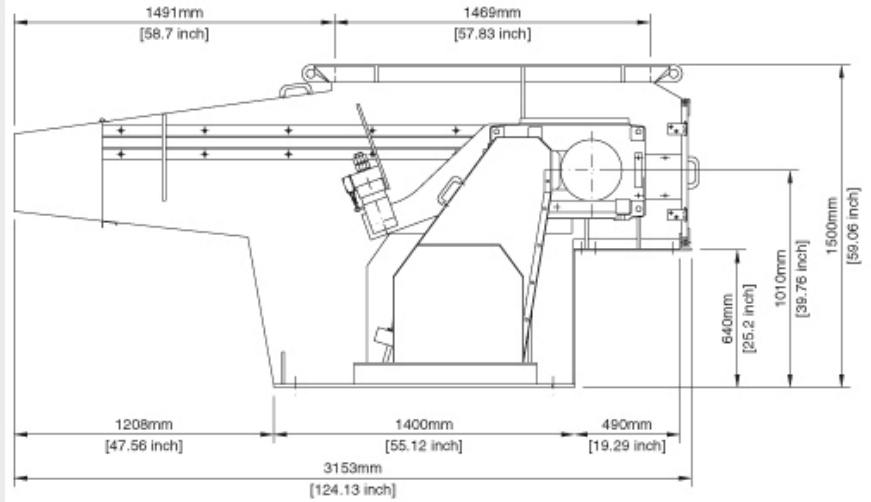
TECHNOLOGY FOR A SUSTAINABLE TOMORROW



Shredding



front view



side view

SPECIFICATIONS

Hopper Opening	inch	52x58
Hopper Volume	cubic yards	3.75
Rotor Diameter	inch	15
No. of Cutters	qty	60 (40x40)
Rotor Speed	rpm	120
Drive Motor HP	HP	100
Feed System	HP/speed	5 / 2
Machine Weight	lbs	10,000 - 12,900
Voltage	V/PH/Hz	460/3/60

OPTIONS

- Energy Saving HiTorc™ Drive Package
- Optional Water Cooler Rotor

Vecoplan, LLC
 P.O. Box 7224 • High Point, NC 27264
 Phone: 336•861•6070 Fax: 336•861•4329

www.vecoplanllc.com
 0209A

