

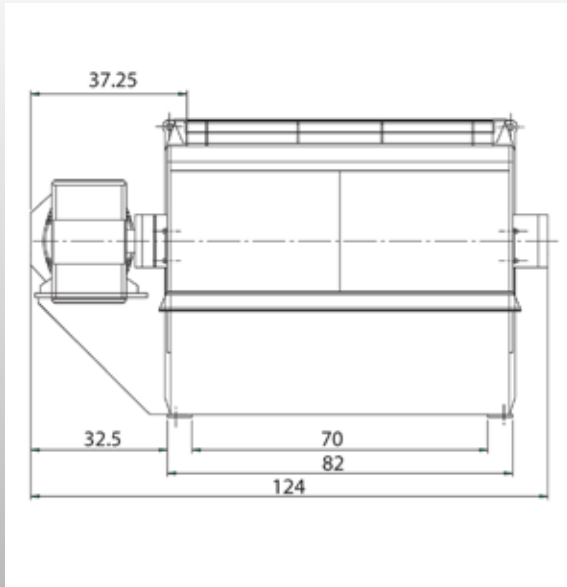
VAZ® 1800 FF

*Vecoplan*®

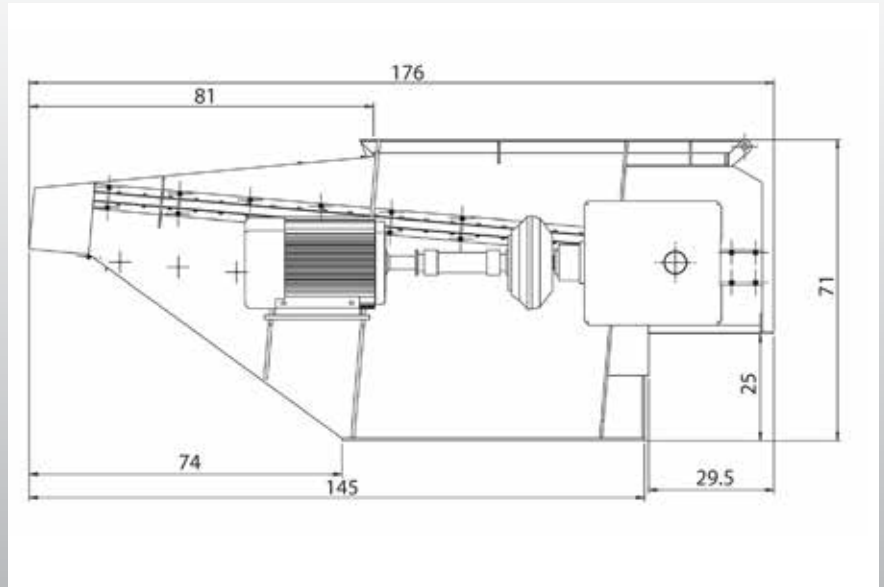


## VAZ® 1800 FF Film Fiber Shredder

The VAZ® 1800 FF Rotary Shredder with the SureCut™ Cutting System is designed specifically for single stage reduction of plastic films and synthetic fibers being reclaimed for extrusion. The FF Series is built for high throughput, has built-in metering capabilities and thermal monitoring controls. Benefits of the SureCut™ Cutting System include precise cut lengths and high bulk densities.



front view



side view

## Specifications

Hopper Opening	inch	70x86
Hopper Volume	cubic yards	11
Rotor Diameter	inch	20
No. of Cutters	qty	84 (std. 40x40) + 41 (nip)
Rotor Speed	rpm	145
Drive Motor HP	HP	200
Feed System	HP/speed	10 / 2
Machine Weight	lbs	22,000 - 26,000
Voltage	V/PH/Hz	460/3/60

## Options

- Variable Frequency Drives
- Optional Control Brands
- Quick Disconnect & Quick Clean Screens
- Application Specific Programming and Control Integration
- Multiple Rotor Configurations
- Multiple Cutter Insert Sizes
- Special Purpose Screens
- Hydraulic BridgeBreaker Vertical Feed Ram
- Airspring Counterknife for High Tramp Metal Content
- Complete Turn-Key Recycling and Reclamation Systems and Material Handling Products Installation

## Features

- SureCut™ Cutting System
- Low Speed / High Torque Design
- PLC Controls / Touch Pad Monitoring
- Tramp Metal Protection
- Large Infeed Hopper
- Precision Hydraulic "Process Ram"
- Composite 4-Way Indexable Cutting Inserts
- Rugged Hydraulics
- Lifetime Limited Warranty on Cutting Rotor
- Oversized Spherical Roller Bearings
- Fluid TurboCoupling
- ISO 9001 Manufactured
- Hinged Protective Cylinder Covers
- 0.015 Knife Gap for Thin Materials
- Easy Access Screen
- Critical Duty Drivetrain
- Passive Programming for Self-Feed Materials
- Wear Resistant Siderails & Cutting Chamber
- Reinforced Screens
- Heavy Viscosity Fluids
- Diverter Plate Over Cutting Rotor
- Built-In Rotor Thermal Monitoring Controls