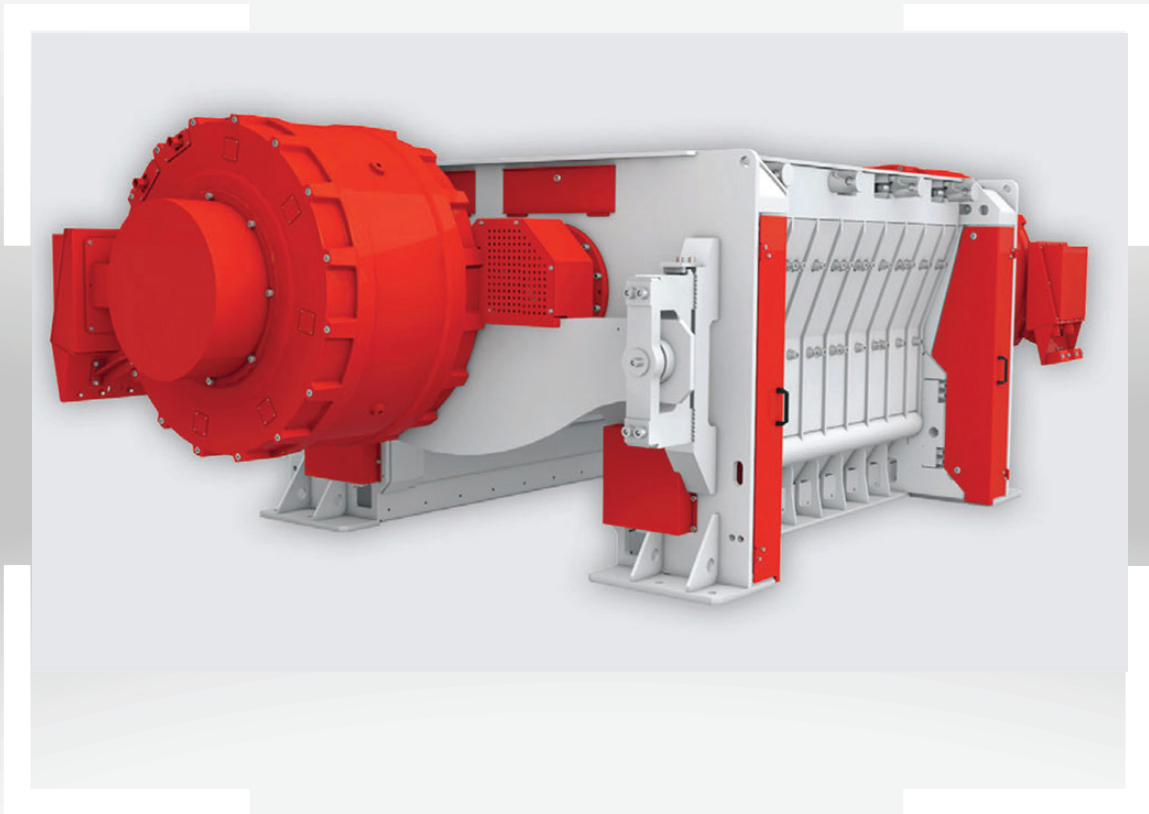


Typhoon 190

Vecoplan[®]



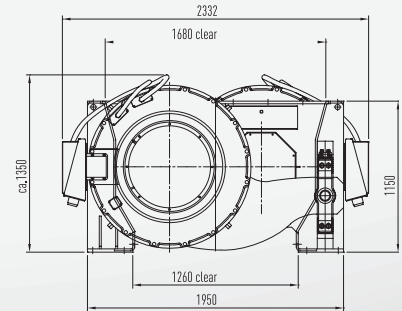
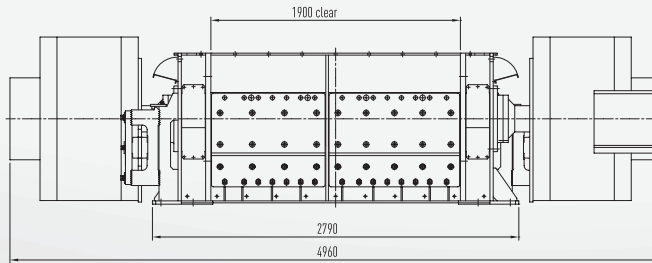
Typhoon 190 Dual-Shaft Shredder

For domestic, commercial or any bulky waste, used timber and production waste.

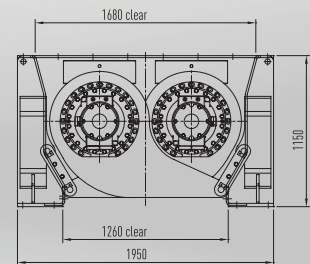
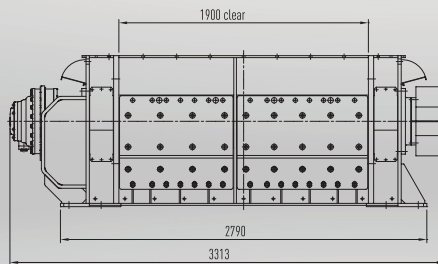
Side view

Front view

Typhoon 190 T
(HiTorc™ Drive)



Typhoon 190 H
(Hydraulic Drive)



DETAILS

DETAILS		Taifun 190 T	Taifun 190 H
Infeed opening	inch	66 x 75	
Rotor dimensions	inch	2 x 25 - 30 x 75	
Rotor speed	rpm	0 - 85	0 - 45
Motor power	HP	2 x 200	1 x 250
Weight approx.	t	20	16
Overall dimensions	inch	195 x 96 x 65	125 x 96 x 61

Subject to technical changes without notice / Detailed dimension drawings and load data available on request / Dated: 04/2012

Features

- Two drives with powerful torque, hydraulical or patented HiTorc® drive
- Nominal torques up to 55.000 Nm.
- Rotor speed can be chosen without limits, depending on provided drive system between 0 and 85 rpm
- Rotors with high centrifugal mass allow smooth machine operation
- Four different cutting unit designs available for optimal adjustment to input material