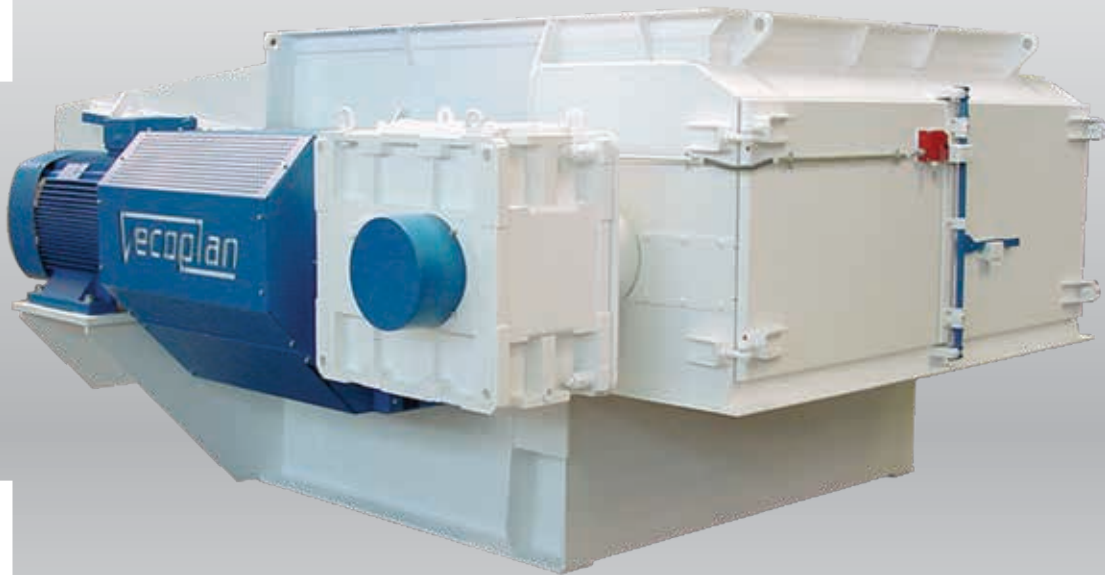


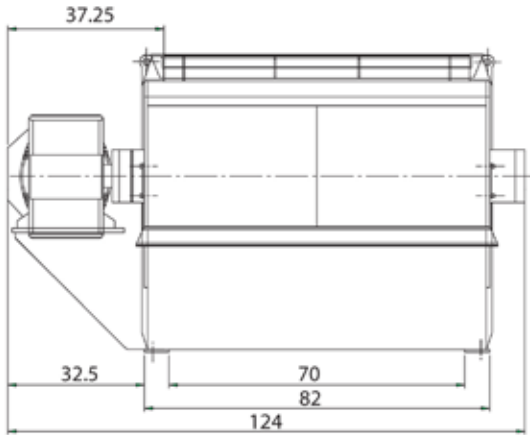
VAZ® 1800 XL

*Vecoplan*®

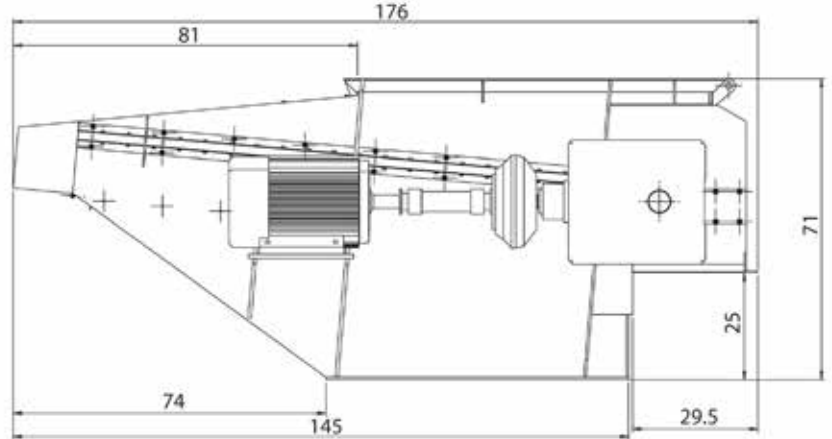


## VAZ® 1800 XL Rotary Shredder

The VAZ® 1800 XL Shredder is designed for processing plastic waste for reclamation and recycling, large extruder purgings, large reject parts, trim scraps, baled or loose film, synthetic fiber, wood processing scrap, medical waste, cardboard, paper and carpet.



front view



side view

## Specifications

Hopper Opening	inch	70x86
Hopper Volume	cubic yards	11
Rotor Diameter	inch	25
No. of Cutters	qty	126 (std. trpl. 40x40)
Rotor Speed	rpm	145
Drive Motor HP	HP	200
Feed System	HP/speed	10 / 2
Machine Weight	lbs	22,000 - 26,000
Voltage	V/PH/Hz	460/3/60

## Options

- Optional Control Brands
  - Quick Disconnect & Quick Clean Screens
  - Application Specific Programming & Control Integration
  - Special Purpose Screens
  - Critical-Duty Drivetrain
  - High Speed Ram
  - Wear Resistant Cutting Chamber
  - Complete Turn-Key Recycling & Reclamation Systems and Material Handling Products Installation
- Available with:  
Airspring™ counterknife (VAZ® 1800-XL F)

## Features

- Low Speed / High Torque Design
- Touch Pad Monitoring & Control
- Easy Accessibility
- Tramp Metal Protection
- Equity "Buyback" Guarantee
- Low RPM / Low Noise
- Large Infeed Hopper
- Precision Hydraulic "Process Ram"
- 4-Way, Indexable Cutting Inserts
- High Output "Torsion Point" Cutting Rotor
- Severe Duty Construction
- Rugged Hydraulics
- Stress-Free Frame, Robotically Welded
- Lifetime Limited Warranty on Cutting Rotor
- Oversized Drivetrain
- Heavy Outboard Spherical Roller Bearings
- Fluid "TurboCoupling"
- PLC Control Panel
- ISO 9001 Manufactured
- Hinged Protective Cylinder Covers
- 0.015" Knife Gap
- Easy Access Screen

Vecoplan, LLC  
5708 Uwharrie Road • Archdale, NC 27263  
Phone: 336•861•6070 Fax: 336•861•4329  
www.vecoplanllc.com

# Vecoplan®

Vecoplan Midwest  
4005 Earnings Way • New Albany, IN 47150  
Phone: 812-923-4992 Fax: 812-923-4994  
www.vecoplanmidwest.com