

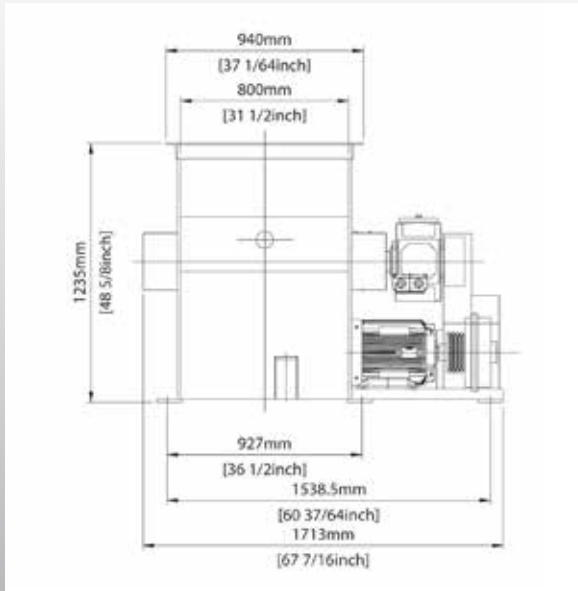
VAZ<sup>®</sup> 800 XL

*Vecoplan*<sup>®</sup>

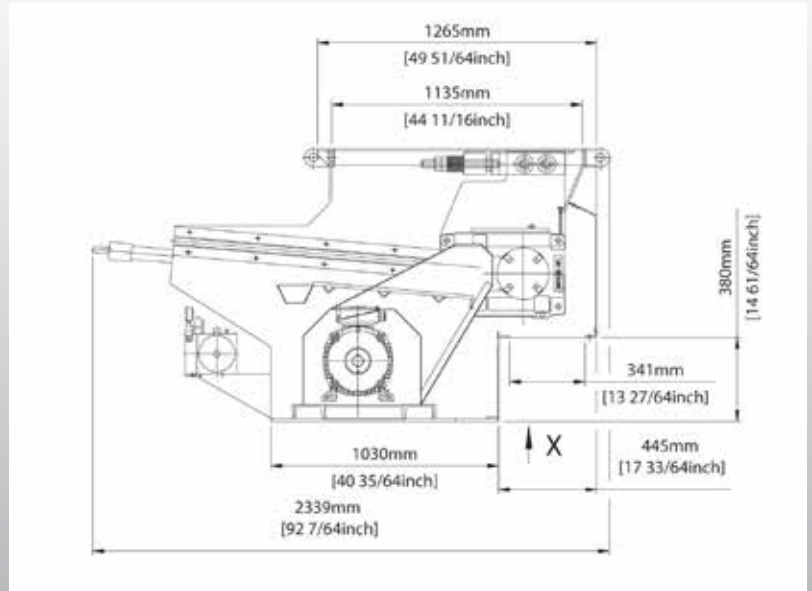


## VAZ<sup>®</sup> 800 XL Rotary Shredder

The Vecoplan VAZ<sup>®</sup> 800 XL Rotary Shredder is designed especially for size reduction of difficult industrial materials such as plastics, dunnage, wood scrap, medical waste, municipal waste, furniture parts, pallets, cardboard and paper.



front view



side view

## Specifications

Hopper Opening	inch	32x45
Hopper Volume	cubic yards	1.3
Rotor Diameter	inch	15
No. of Cutters	qty	40 (40x40)
Rotor Speed	rpm	125
Drive Motor HP	HP	30
Feed System	HP/speed	1.5 - 2 / 2
Machine Weight	lbs	5,500
Voltage	V/PH/Hz	460/3/60

## Options

- Multiple Rotor Configurations
- Pneumatic Pick-Up Hoods
- Custom Hoppers
- Abrasion Resistant Screens
- Control Integration
- Turn-Key Installation w/Custom Conveyor Systems Engineering and Material Handling Equipment

## Features

- Low Speed / High Torque Design
- Easy Accessibility
- Tramp Metal Protection
- Equity Buyback Guarantee
- Low RPM / Low Noise
- Large Infeed Hopper
- Precision Hydraulic Process Ram
- 4-Way, Indexable Cutting Inserts
- High Output "Torsion Point" Cutting Rotor
- Heavy Duty Construction
- Rugged Hydraulics
- Stress-Free Frame, Robotically Welded
- Lifetime Limited Warranty on Cutting Rotor
- Oversized Drivetrain
- Heavy Spherical Roller Bearings
- PLC Control Panel
- ISO 9001 Manufactured